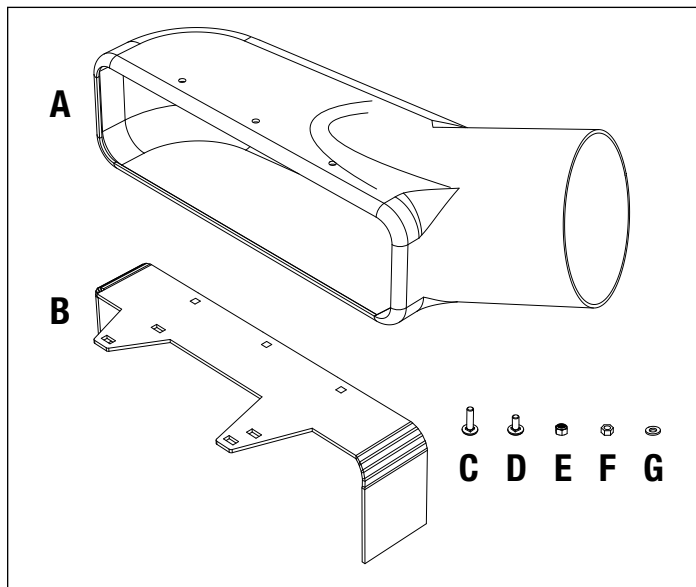


# INSTALLATION INSTRUCTIONS

## JD 72D Deck Boot Kit (TK95058)



A dedicated deck boot connects the TKV 20 to your tractor's mower deck. This boot kit connects a TKV 20 to a John Deere 72D mower deck.



### Kit Includes

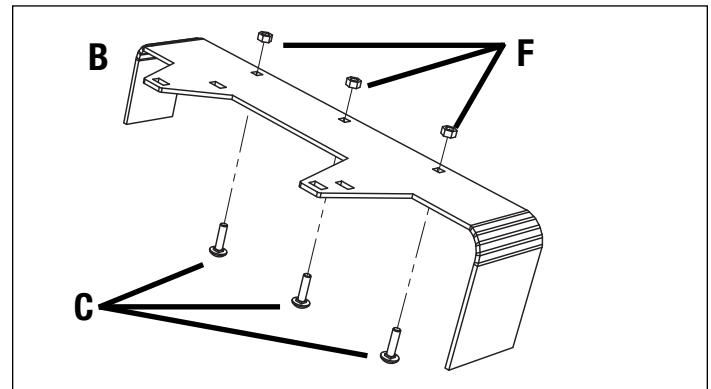
	Description	Part No.	Qty.
A	Deck Boot	ST48488	1
B	Deck Boot Bracket	ST48483	1
C	5/16" x 1-1/4" Carriage Bolt	ST65207	3
D	5/16" x 3/4" Carriage Bolt	ST65006	2
E	5/16" Lock Nut	ST65097	5
F	5/16" Nut	ST65056	3
G	5/16" Flat Washer	ST65223	8

### Park Safely Before Installation

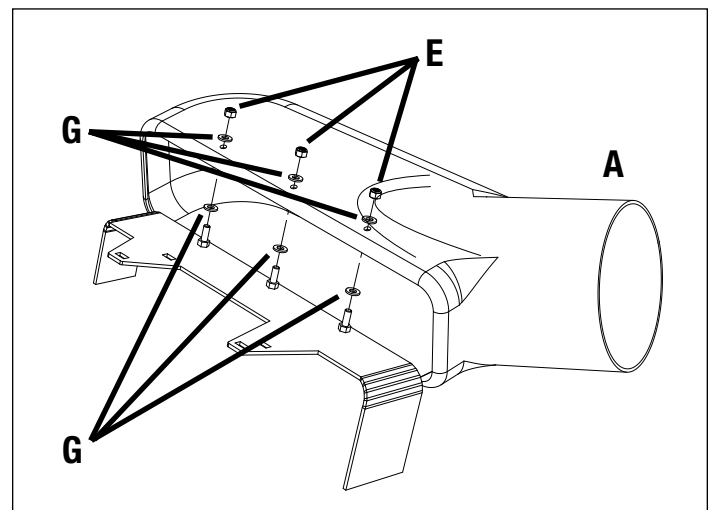
1. Stop the tractor on a level surface.
2. Lock the park brake.
3. Stop the engine.
4. Remove the key.
5. Wait for engine and all moving parts to stop before you leave the operator's seat.

### Installation Instructions

1. Install three 5/16" x 1-1/4" Carriage Bolts (C) in Deck Boot Bracket (B) and secure with three 5/16" Nuts (F).

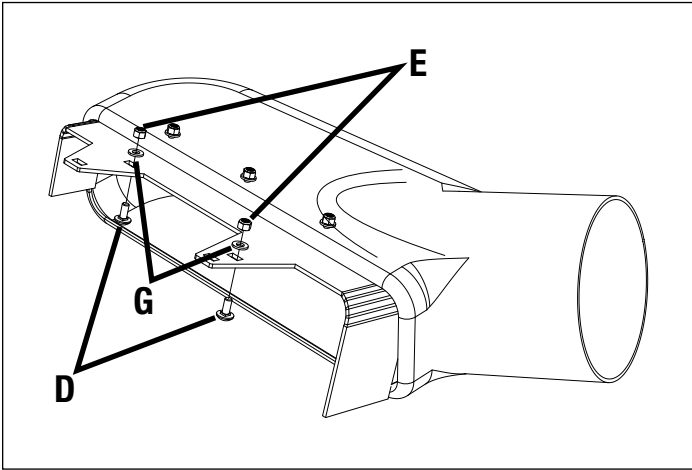


2. Install three 5/16" Flat Washers (G) on Deck Bracket Bolts. Install Deck Boot on bracket bolts and secure with three 5/16" Flat Washers (G) and three 5/16" Lock Nuts (E).



**NOTE:** The deck boot bracket is designed to mount the deck boot on an angle for improved material flow and increased clearance during operation.

3. Install Deck Boot Bracket on top of the deck between the discharge chute shield and the mower deck (not shown) with two 5/16" x 3/4" Carriage Bolts (D), two 5/16" Flat Washers (G), and two 5/16" Lock Nuts (E).



## Warranty

TerraKing's products are guaranteed to be free from defects in material and/or workmanship and to perform as advertised when properly assembled, installed, used, and maintained in accordance with written instructions. Failure to adhere to this will void the warranty. TerraKing will not be responsible for labor, loss, or consequential damage of any kind or character caused by defective parts, or for charges incurred in the replacement or repair of defective parts. TerraKing reserves the right to request photos or return of damaged/defective parts. To submit a claim, please have your original purchase date and a copy of your receipt (if available).

## Warranty Period

The TerraKing Boot Kit is warranted for a period of 1 (one) year after the purchase date for residential use, and 6 (six) months after the purchase date for commercial use. This product is warranted by TerraKing to the original purchaser/customer against defects in material and workmanship under normal operating conditions.

TerraKing by Superior Tech, Inc.  
717-286-1444  
sales@terraking.com  
Form # TKMI-008C-09/18