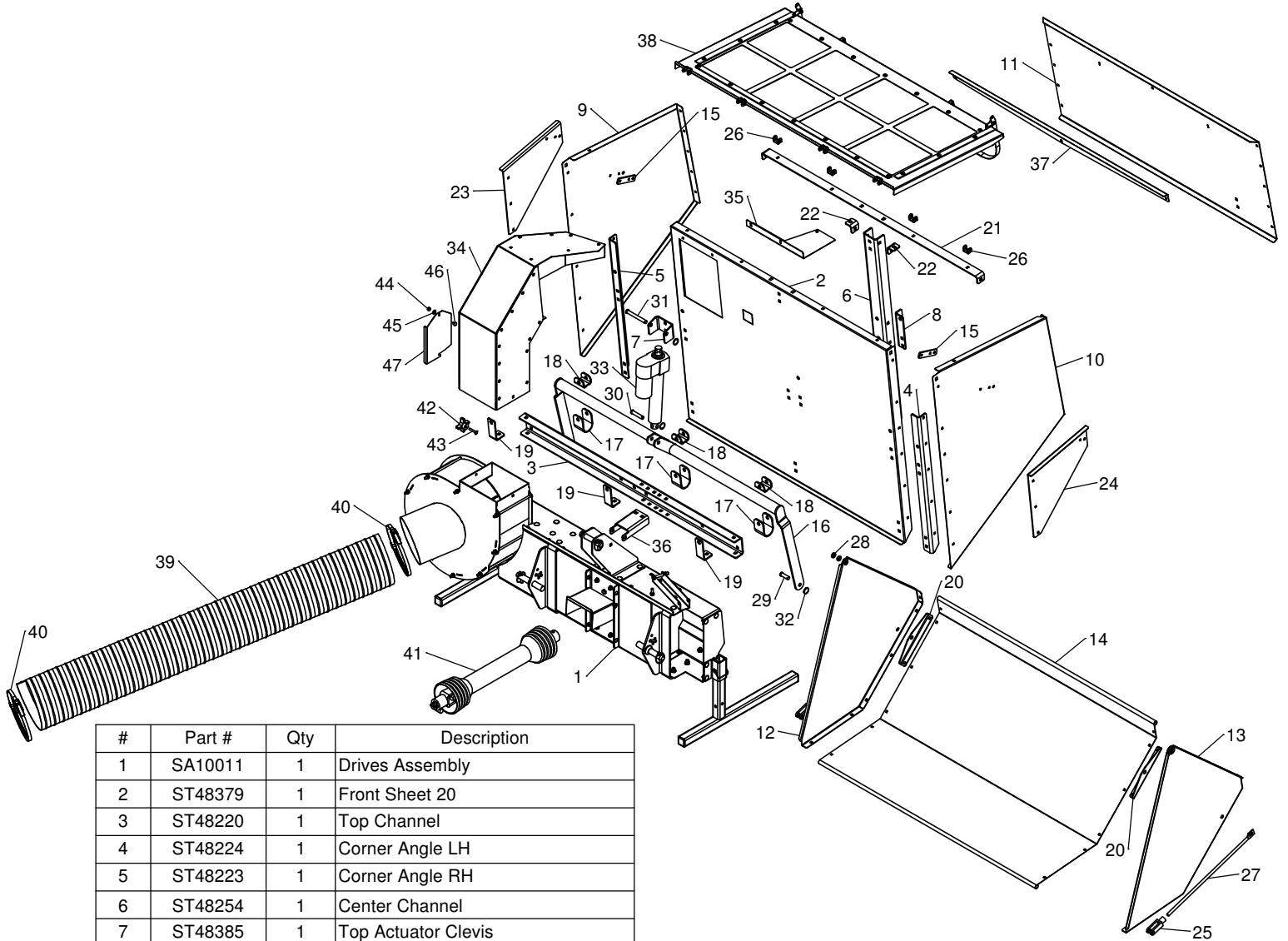


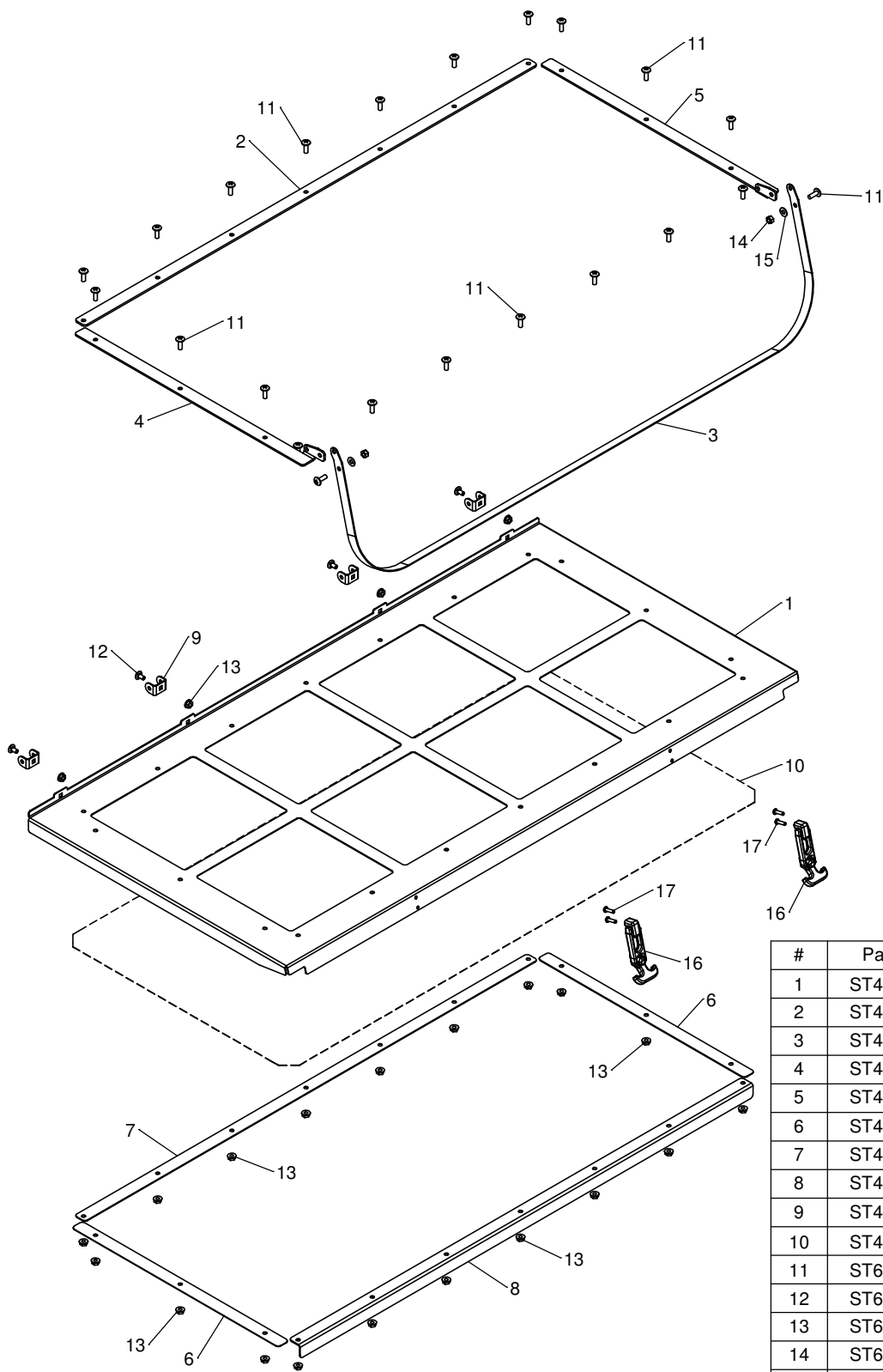
# TK95044 - TKV 20 Material Collection System



#	Part #	Qty	Description
1	SA10011	1	Drives Assembly
2	ST48379	1	Front Sheet 20
3	ST48220	1	Top Channel
4	ST48224	1	Corner Angle LH
5	ST48223	1	Corner Angle RH
6	ST48254	1	Center Channel
7	ST48385	1	Top Actuator Clevis
8	ST48256	1	Center Brace
9	ST48225	1	Side RH 20
10	ST48226	1	Side LH 20
11	ST48380	1	Rear Top 20
12	ST48228	1	Tailgate Side RH WA
13	ST48229	1	Tailgate Side LH WA
14	ST48231	1	Tailgate 20
15	ST48133	2	Pivot Reinforcement
16	ST48255	1	Pivot Shaft WA
17	ST61011	3	Pivot Tube Saddle
18	ST61010	3	Tube Pivot Cap
19	ST48253	3	Hinge Support
20	ST48257	2	Push Brace
21	ST48258	1	Top Support
22	ST48259	2	Support Angle
23	ST48233	1	Side Brace RH
24	ST48234	1	Side Brace LH
25	ST50224	2	Yoke Clevis End 1/2"
26	ST48275	4	Hinge
27	ST48277	2	Lift Rod MCS 20

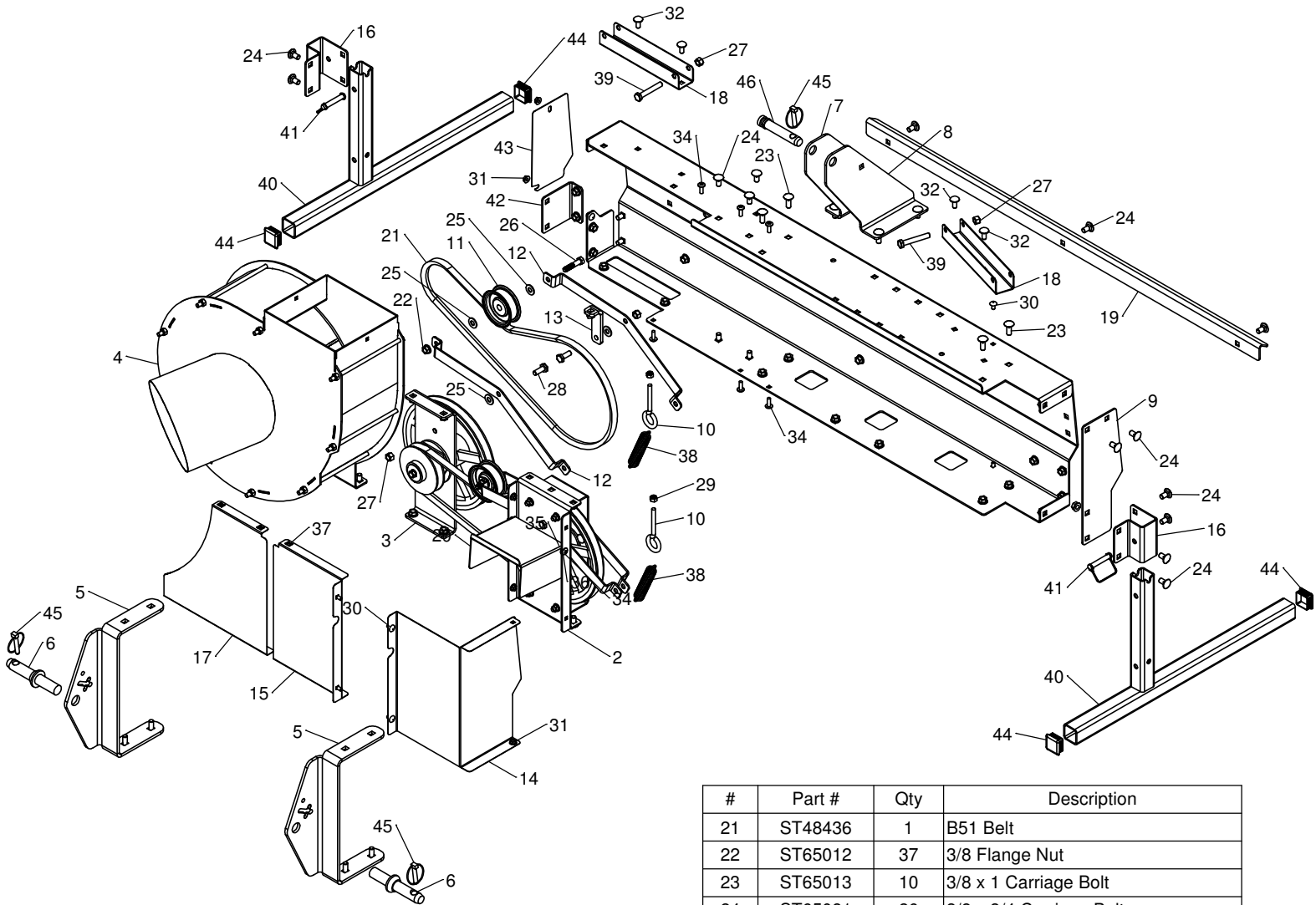
#	Part #	Qty	Description
28	ST48176	4	Plastic Washer
29	ST50227	2	1/2" x 1-1/2" Clevis Pin
30	ST50234	1	1/2" x 2-1/4" Clevis Pin
31	ST50120	1	1/2"x4" Pin for Actuator
32	ST50226	4	Circle Cotter
33	ST48288	1	Actuator 6"
34	SA10015	1	Chute Assembly
35	ST48419	1	Chute Mount Angle
36	ST48421	1	Top Pin Support
37	ST48427	1	Rear Brace
38	SA10016	1	Lid Assembly
39	ST48433	1	8" Hose
40	5588K14	2	8" Hose Clamp
41	ST48437	1	PTO Shaft
42	ST43810	1	1/4" Plastic Knob
43	ST65043	1	1/4" x 1-1/2" Carriage Bolt
44	ST65017	1	1/4 Nylock Nut
45	ST65154	1	1/4" Washer
46	ST65085	1	1/4 x 1/2 C.B. Short Neck
47	ST48424	1	Chute Door

# SA10016 - Lid Assembly



#	Part #	Qty	Description
1	ST48420	1	Lid
2	ST48429	1	Cover Support Front
3	ST48432	1	Cover Support Rear
4	ST48431	1	Cover Support LH
5	ST48430	1	Cover Support RH
6	ST48423	2	Mesh Support Short
7	ST48422	1	Mesh Support Long
8	ST48458	1	Rear Lid Angle
9	ST48275	4	Hinge
10	ST48435	1	Screen
11	ST65016	22	1/4 x 3/4 Truss Head Bolt
12	ST65085	4	1/4 x 1/2 C.B. Short Neck
13	ST65073	24	1/4" Flange Nut
14	ST65017	2	1/4 Nylock Nut
15	ST65154	2	1/4" Washer
16	ST50451	2	Rubber Latch
17	ST65076	4	#10-24 x 3/4" Truss Head
18	ST48381	1	Fabric Cover (not shown)

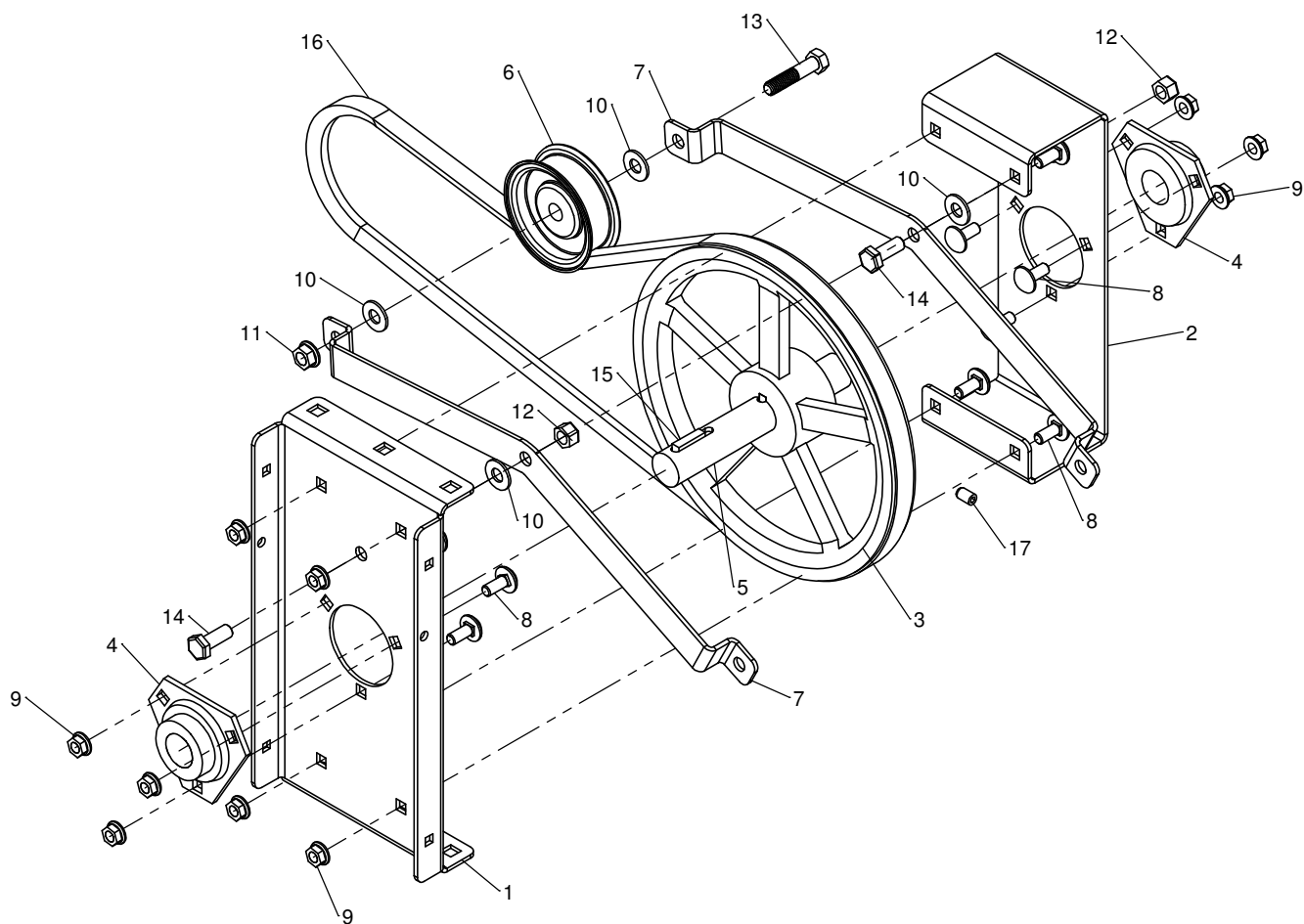
# SA10011 - Drives Assembly



#	Part #	Qty	Description
1	ST48382	1	Drives Frame
2	SA10012	1	Center Drive Assembly
3	SA10013	1	Mid Drive Assembly
4	SA10014	1	Blower Assembly
5	ST48403	2	3pt Side Pin Bracket
6	ST61509	2	Cat 1 Pin
7	ST48404	1	Top Pin Bracket RH
8	ST48405	1	Top Pin Bracket LH
9	ST48406	1	Side Plate
10	ST48407	2	Eyebolt 5/16" x 3"
11	ST48389	1	Idler Pulley
12	ST48390	2	Idler Bracket
13	ST48408	1	Idler Bracket Support
14	ST48409	1	Shield LH
15	ST48410	1	Shield Center
16	ST48411	2	Leg Support
17	ST48412	1	Shield RH
18	ST48414	2	Leg Storage Channel
19	ST48428	1	Tailgate Support
20	ST48426	1	PTO Shield

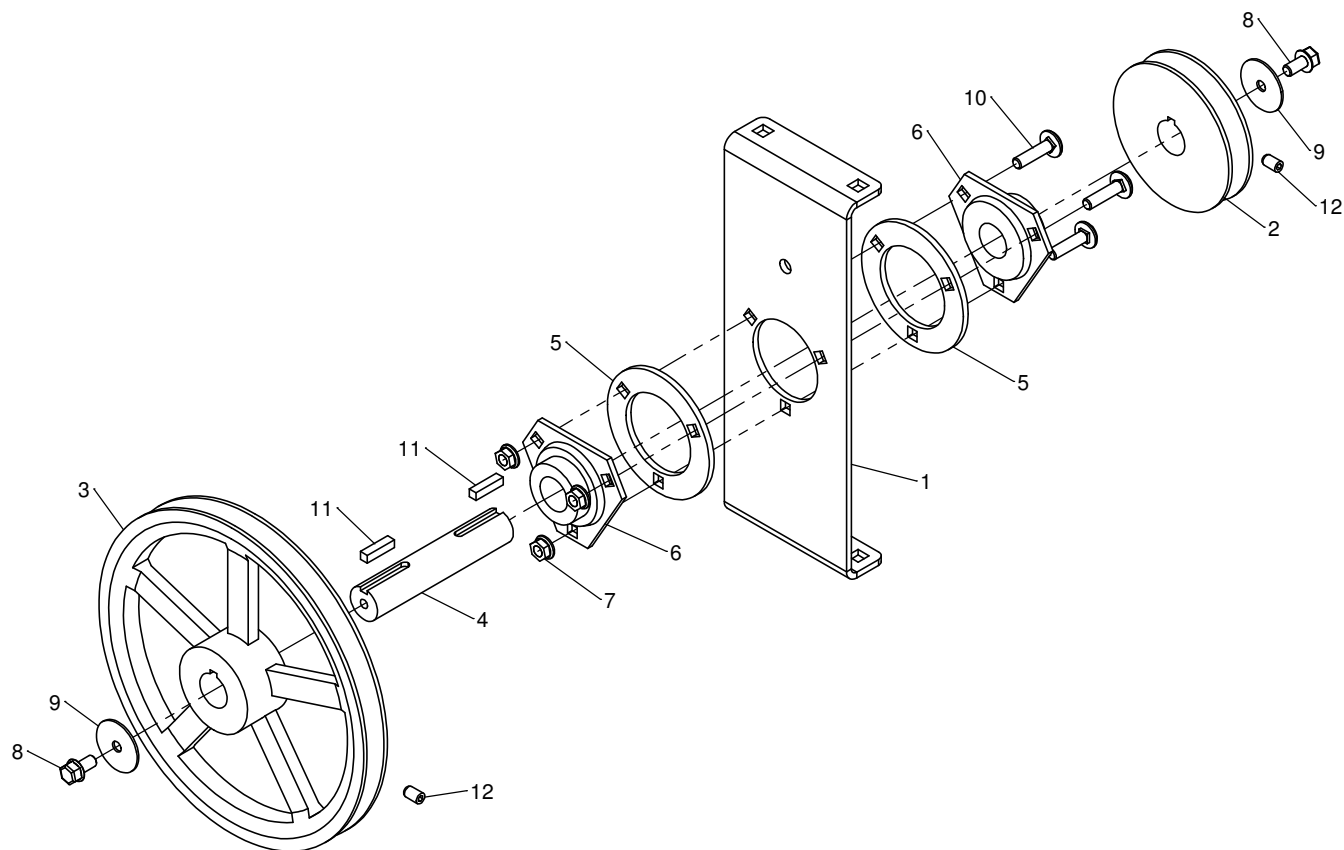
#	Part #	Qty	Description
21	ST48436	1	B51 Belt
22	ST65012	37	3/8 Flange Nut
23	ST65013	10	3/8 x 1 Carriage Bolt
24	ST65081	26	3/8 x 3/4 Carriage Bolt
25	ST65003	4	3/8 Flat Washer
26	ST65166	1	3/8" x 1-3/4" Hex Bolt
27	ST65089	4	3/8 Nylock / Stover Nut
28	ST65088	2	3/8 x 1 Hex Bolt
29	ST65097	2	5/16" Nylon Lock Nut
30	ST65085	8	1/4 x 1/2 C.B. Short Neck
31	ST65073	8	1/4" Flange Nut
32	ST65006	4	5/16 x 3/4 Carriage Bolt
33	ST65008	4	5/16 Flange Nut
34	ST65016	8	1/4 x 3/4 Truss Head Bolt
35	ST65017	2	1/4 Nylock Nut
36	ST65154	2	1/4" Washer
37	ST65204	6	Cage Nut 1/4", .03" Sheet
38	ST43403	2	Boom Spring
39	ST65172	2	3/8 x 2-1/2 Hex Bolt
40	ST48425	2	Leg WA
41	ST48287	2	Wire Lock Pin ø3/8" x 2"
42	ST48455	1	Leg Angle RH
43	ST48456	1	Side Shield RH
44	ST48438	4	Plastic End Cap 1-1/2"
45	ST43398	3	Lynch Pin
46	ST43399	1	Top Pin, Cat 1

# SA10012 - Center Drive Assembly



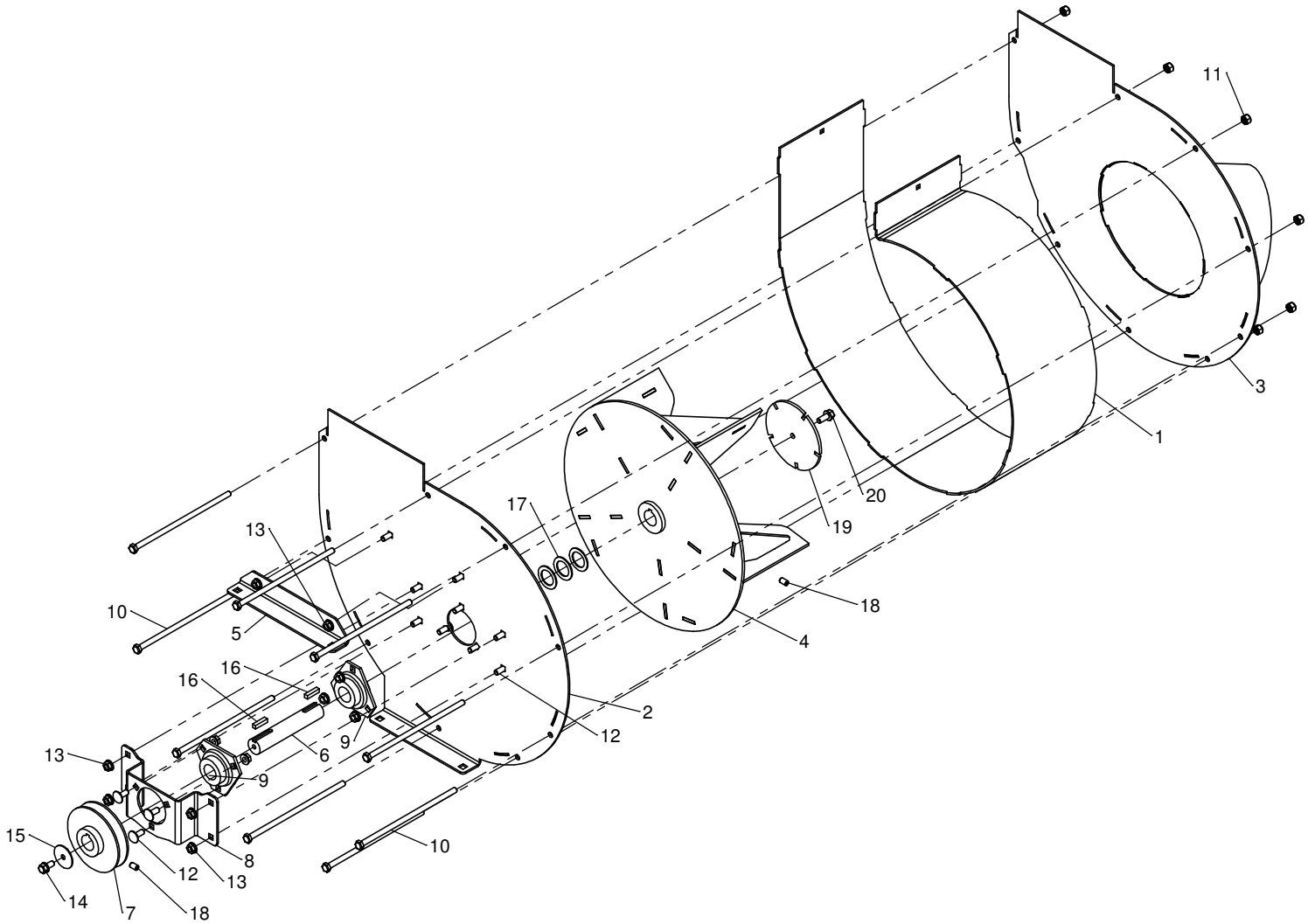
#	Part #	Qty	Description
1	ST48383	1	Shaft Brace Center Front
2	ST48384	1	Shaft Brace Center Rear
3	ST48386	1	9.75 Pulley
4	ST48387	2	3 Bolt Bearing
5	ST48388	1	Drive Shaft
6	ST48389	1	Idler Pulley
7	ST48390	2	Idler Bracket
8	ST65006	10	5/16 x 3/4 Carriage Bolt
9	ST65008	10	5/16 Flange Nut
10	ST65003	4	3/8 Flat Washer
11	ST65012	1	3/8 Flange Nut
12	ST65089	2	3/8 Nylock / Stover Nut
13	ST65166	1	3/8" x 1-3/4" Hex Bolt
14	ST65088	2	3/8 x 1 Hex Bolt
15	ST65209	2	1/4" Sq x 1" Key
16	ST48436	1	B51 Belt
17	ST65213	1	5/16" x 1/2" Set Screw

# SA10013 - Mid Drive Assembly



#	Part #	Qty	Description
1	ST48391	1	Mid Shaft Bracket
2	ST48392	1	4.25 Pulley
3	ST48386	1	9.75 Pulley
4	ST48393	1	Drive Shaft
5	ST48394	2	Bearing Spacer
6	ST48387	2	3 Bolt Bearing
7	ST65008	3	5/16 Flange Nut
8	ST65011	2	5/16 x 5/8 Flange Bolt
9	ST65015	2	5/16 Fender Washer
10	ST65207	3	5/16 x 1-1/4 Carriage Bolt
11	ST65209	2	1/4" Sq x 1" Key
12	ST65213	2	5/16" x 1/2" Set Screw

# SA10014 - Blower



#	Part #	Qty	Description
1	ST48395	1	Blower Ring
2	ST48396	1	Blower Back
3	ST48402	1	Blower Front WA
4	ST48397	1	Fan 15 WA
5	ST48399	1	Blower Mount Angle
6	ST48400	1	Blower Shaft
7	ST48392	1	4.25 Pulley
8	ST48401	1	Blower Bearing Bracket
9	ST48387	2	3 Bolt Bearing
10	ST65206	9	5/16 x 8 Hex Bolt
11	ST65097	9	5/16" Nylon Lock Nut
12	ST65006	12	5/16 x 3/4 Carriage Bolt
13	ST65008	12	5/16 Flange Nut
14	ST65011	1	5/16 x 5/8 Flange Bolt
15	ST65015	1	5/16 Fender Washer
16	ST65209	2	1/4" Sq x 1" Key
17	ST65210	3	Washer 1" ID, 1.5" OD
18	ST65213	2	5/16" x 1/2" Set Screw
19	ST48475	1	Fan Washer
20	ST65007	1	5/16 x 3/4 Flange Bolt